

Air Top 2000 STC

Air Heater (Diesel)



Air Heater Features:

- Provides rapid cab heat without idling
- Warm work area ideal for driver and storage (tools, cargo, etc.)
- High heat output in a compact design
- Quiet operation
- Reduced emissions = cleaner work environment
- Full diagnostics with PC interface available
- Low fuel consumption
- Proven quality & reliable performance
- Fast Return on Investment

Cab heating, fuel savings and emissions reduction

The Air Top 2000 STC is the most popular choice in idle reduction technology. Millions are being used in various applications around the world. Perfect for bunk heating, the Air Top 2000 STC gets the job done with up to 7,000 BTU/h (2 kW) of heat output. This compact unit is low on maintenance, service-friendly and the most efficient air heater on the market. The Air Top 2000 STC can pay for itself within months.

Technical Specifications

	Air Top 2000 STC
Heating Capacity	3,100 – 7,000 BTU/h (0.9 – 2.0 kW)
Fuel	Diesel
Fuel Consumption	0.03 – 0.06 gal/h (0.12 – 0.24 l/h)
Rated Voltage	12 or 24 V
Operating Voltage Range	10.5 – 16 or 21 – 32 V
Power Consumption	1.25 – 2.45 Amps (14 – 29 Watts)
Air Flow	55 cfm (93 m ³ /h)
Dimensions (L x W x H)	12.25 x 4.78 x 4.85 in (311 x 120 x 121 mm)
Weight	5.73 lbs (2.6 kg)

Available Air Top 2000 STC Heater Kits:

Air Top 2000 STC Diesel Kit with Rheostat (12 V) - P/N: 5012550A

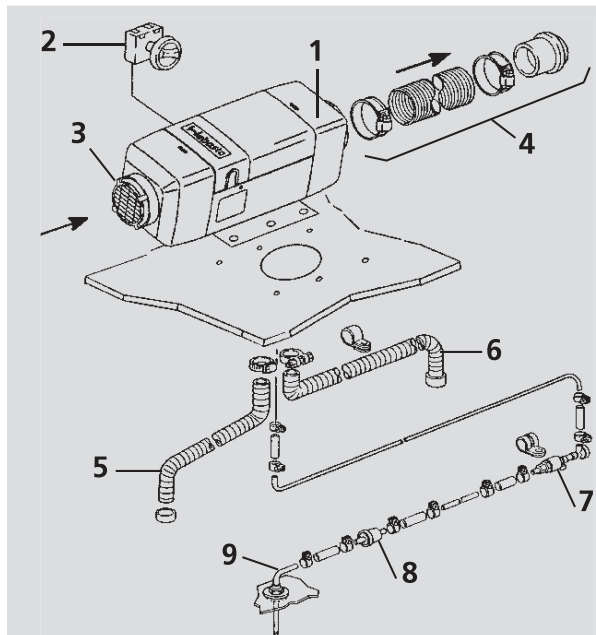
Air Top 2000 STC Diesel Kit with Rheostat (24 V) - P/N: 5012553A

Air Top 2000 STC Diesel Kit with SmarTemp 2.0 (12 V) - P/N: 5012555A

Standard Kit Components:

- Integrated Control Unit
- On/Off Switch with Variable Temperature Control
- Fuel Metering Pump w/Mounting Bracket
- Fuel Line and Fuel Filter
- Universal Fuel Standpipe
- Heater Mounting Bracket w/Gasket
- Wiring Harness w/Fuse Holder
- Exhaust Tubing
- Combustion Air Tubing and Heater Ducting
- Air Inlet/Outlet Vent
- Operation/Installation Manual
- 2 Year/2000 Hour Limited Warranty

System Schematic



- | | |
|----------------------------|-----------------------|
| 1. Air Top 2000 STC Heater | 6. Exhaust Outlet |
| 2. Control Dial | 7. Fuel Metering Pump |
| 3. Cold Air Inlet | 8. Fuel Filter |
| 4. Hot Air Outlet/Ducting | 9. Fuel Standpipe |
| 5. Combustion Air Inlet | |

Optional Accessories:

- **SmarTemp Control 2.0 (unit only):**
Part Number 5010624B
- **SmarTemp Control 2.0 Unit Retrofit Kit (with adapter harness):**
Part Number 5010628B



- Programmable heater start time
- Ergonomic design
- Large backlit LCD screen
- Ambient temperature display

Webasto Thermo & Comfort
North America, Inc.

15083 North Road
Fenton, Michigan 48430
USA

Toll Free: 800-860-7866
Phone: 810-593-6000

webasto.com